

Family
COOKING EQUIPMENT STAR 60

Section
CERAMIC COOKING RANGES

Model
V67E

Code
CR0853130

GLASS CERAMIC HOB WITH 4 COOKING ZONES

S/s glass ceramic hob. Equipped with 4 independent cooking zones: 2 Ø 220 mm zones with 2.5 kW dual circuit output, 1 Ø 180 mm zone with 1.8 kW output, 1 Ø 14.5 mm zone with 1.2 kW output. The cooking zones are marked by silk-screened circles on the glass ceramic surface and equipped with residual heat indicators. Glass ceramic surface 510x546 mm.



Technical data

| | | | |
|-------------------------|----------------|------------------------|----------------------------------|
| Width mm: | 700 | Internal dim. oven mm: | |
| Depth mm: | 600 | Oven capacity: | |
| Height mm: | 295 | Oven power kW: | |
| Weight kg.: | 23.00 | Qty heating zones: | 2 x 2,5 kW - 1 x 1,8 kW - 1 x 1, |
| Volume m ³ : | 0.22 | Plate dim. mm: | 2 x Ø 220 - 1 x Ø 180 - 1 x Ø 1 |
| Power supply: | VAC400-3N 50Hz | Dim. heating zone mm: | 510x546 |
| Gas power kW: | | Qty tank: | |
| Electric power kW: | 8.00 | Tank dim. mm: | |
| | | Tank capacity l: | |

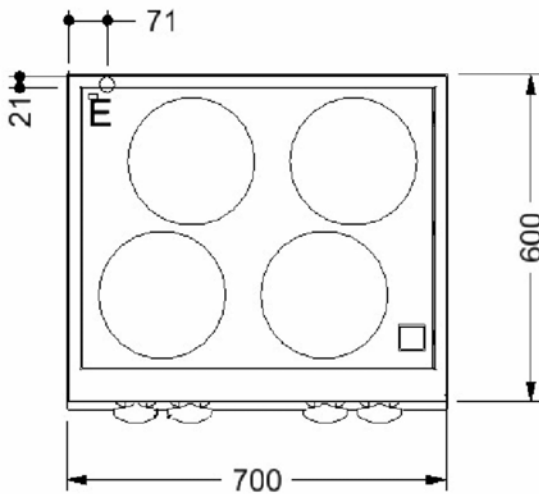
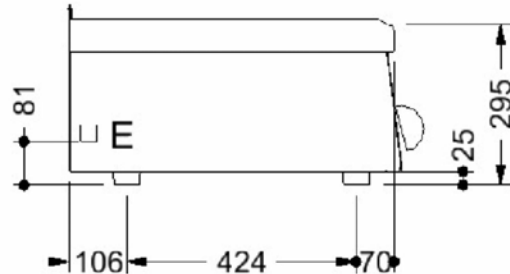
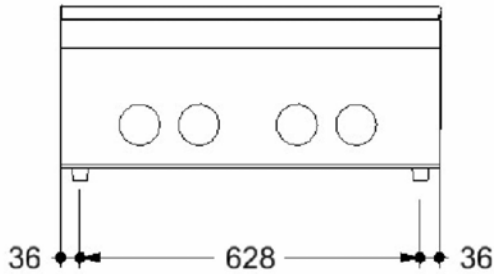
Family
COOKING EQUIPMENT STAR 60

Section
CERAMIC COOKING RANGES

Model
V67E

Code
CR0853130

GLASS CERAMIC HOB WITH 4 COOKING ZONES



Legend

(E) Socket 1: Connection supply terminal floor level (+100mm). Spare cable 1500mm

(E) Socket 2:

(G) Gas:

(AD) Softened water:

(AF) Cold water:

(AC) Hot water:

(S) Draining:

(FR) In e out freon:

(V) Steam: