

Family
COOKING EQUIPMENT STAR 60

Section
GAS COOKING RANGES

Model
C67G

Code
CR0852970

BOILING TOP 4 BURNERS

Gas heated boiling top with 4 cast iron burners, 2 with 3,5 kW, 2 with 6 kW. Gas cock c/w safety valve.



Technical data

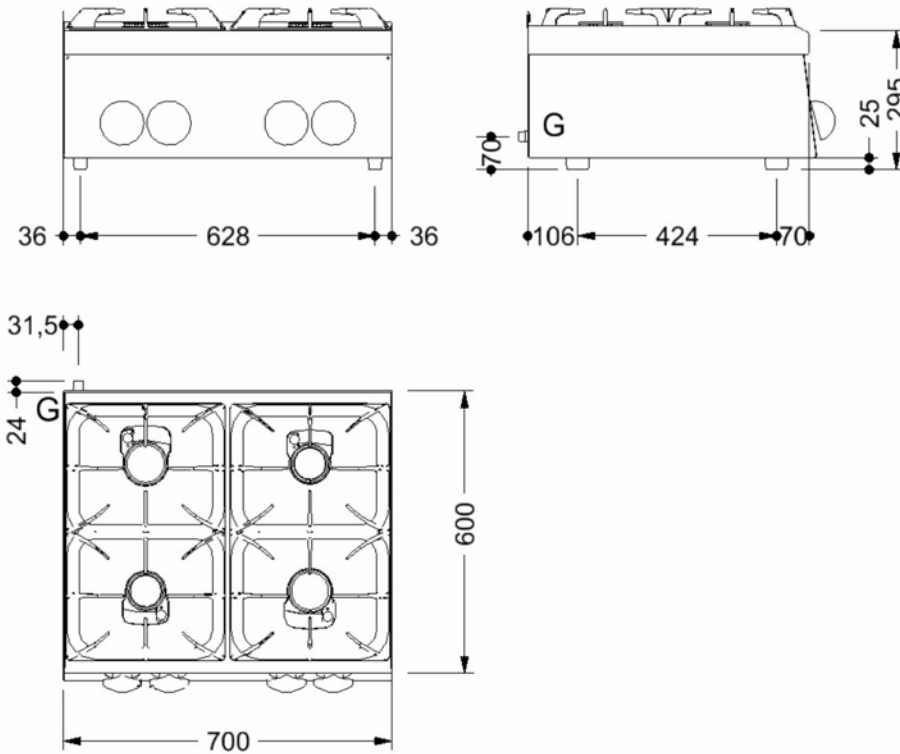
Width mm:	700	Internal dim. oven mm:	
Depth mm:	650	Oven capacity:	
Height mm:	295	Oven power kW:	
Weight kg.:	31.00	Qty heating zones:	2 x 3,5 kW - 2 x 6 kW
Volume m ³ :	0.27	Plate dim. mm:	
Power supply:		Dim. heating zone mm:	
Gas power kW:	19.00	Qty tank:	
Electric power kW:		Tank dim. mm:	
		Tank capacity l:	

Family
COOKING EQUIPMENT STAR 60

Section
GAS COOKING RANGES

Model
C67G
Code
CR0852970

BOILING TOP 4 BURNERS



Legend

(E) Socket 1:

(E) Socket 2:

(G) Gas: Ø1/2"-H=605mm

(AD) Softened water:

(AF) Cold water:

(AC) Hot water:

(S) Draining:

(FR) In e out freon:

(V) Steam: