



WASHING

HIGH SPIN WASHERS HIGH CAPACITY LA-60/100C/120C TP2



CHARACTERISTICS

TP2

- User friendly and totally programmable 7" TP2 touch screen.
- USB Connection. PC software free of charge for programming, traceability, data analysis...
- Videos on display. (ads, instructions)
- 37 languages.
- 8 dosing signals as standard.

G FACTOR

- High G-Factor: G-FACTOR 450 (for LA-60) and G-FACTOR 350 (for LA-100C/120C)

EFFICIENCY

- Intelligent consumption.
- Optimal loading.
- Water Recovery tanks ready: KRS.
- Low water consumption.

VERSATILITY

- Electric < > Hot water.
- Wet cleaning features.

CONNECTIVITY

- Remote technical service.
- Management of laundries: OPL.
- Remote payment.

ERGONOMICS

- Biggest door diameters: Ø560 (for LA-60) and Ø700 (for LA-100C/120C)
- Easy opening/closing system for door lock.

MAINTENANCE

- Equivalent parts for all models: contactors, electronic devices, gear
- Technical menu: traceability, error diagnosis.

OTHERS

- Drum and tub in stainless steel AISI 304
- 3 water inlets (Water inlet hoses not included)
- Soft mounted, free standing washers.
- Panels in skinplate
- Easy to install, no need of fixation to the floor.
- CB and WRAS approved product. Option ETL.
- Tropicalized model: protected board.

OPTIONS

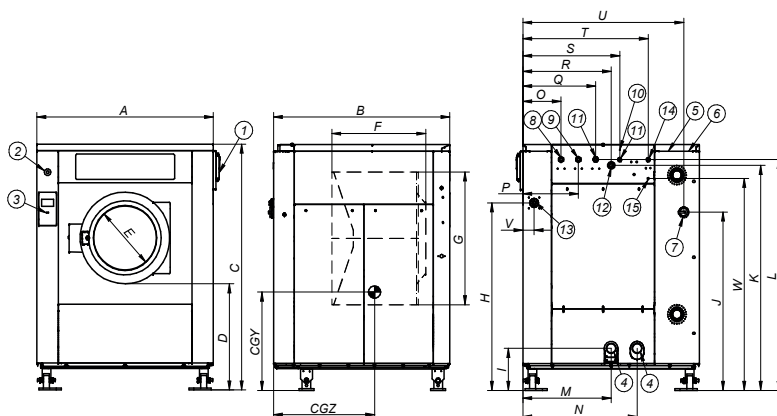
- Double drain.
- Normally closed valve for LA-60.
- Tilting options: frontal or double tilt.
- Water inlet hose. (for LA-60)
- Auto Weight: automatic weighing sensor system on feet. (Includes kit with 6 extra dosing signals)
- Relay card with 6 extra dosing signals: up to 14 signals.
- Printer.
- FagorConnect IoT.
- Reversible door opening (for LA-60)
- Kit to transform an E or HW heated machine into steam version. (for LA-60)
- Double heating E + S. (for LA-60)
- Panel to cover feet for LA-60.
- Stainless steel outer casing.
- Stainless steel front panel.
- Panel to cover feet for LA-60 .
- Maritime voltage for electric models: 440V III 50/60 Hz No neutral.
- Voltage 230V III 50/60 Hz.

TECHNICAL DATA

HIGH SPIN WASHERS | HIGH CAPACITY | LA-60/100C/120C TP2

	UNIT.	LA-60	LA-100C	LA-120C		
DRUM						
Load capacity 1:9 / 1:10	Kg	67/60	105/95	128/115		
Volume	l	600	950	1.150		
Diameter	mm	1.048	1.360	1.360		
Depth	mm	684	654	792		
GENERAL DETAILS						
Washing speed / Spinning speed	r.p.m.	38 / 875	34 / 678	34 / 678		
G Factor	-	450	350	350		
Maximum force transmitted	KN	12,95 ±4,2	37,77 ±5,25	37,77 ±5,25		
Frequency-dynamic force	Hz	12,66	11,33	11,33		
Noise level	dB	<70	<70	<70		
Coin laundry version	-	No	No	No		
Double drain	-	Opt	Opt	Opt		
Weighing System / Tilting System	-	Opt/Opt	Opt/Opt	Opt/Opt		
DOOR						
Height center door / Height door	mm	1.190/830	1.330/900	1.330/900		
Diameter	mm	560	700	700		
POWER						
Motor	kW	11	15	15		
Electric heating power	kW	36	-	-		
Total electric power (electric model)	kW	40	-	-		
Total electric power (hw, steam mod.)	kW	11	15	15		
CONNECTIONS						
		ELECTRIC	STEAM / HOT WATER	ELECTRIC	STEAM / HOT WATER	STEAM / HOT WATER
Tension 230V - III + T	N° x mm2 / A	3x25+T / 100A	0	-	-	-
Tension 400V - III + N + T	N° x mm2 / A	4x16+T / 63A	4x4+T / 32A	-	4x6+T / 40A	4x6+T / 40A
Steam inlet (Steam model)	inch	3/4"		1-1/4"		1-1/4"
Maximum steam consumption (Steam model)	Kg/h	18		26,5		26,5
Water inlet	inch	1"		1-1/2"		1-1/2"
Water main pressure	Kgs/cm ²	2-4		2-4		2-4
Compressed air inlet	inch	-		1/4"		1/4"
Compressed air pressure	Bar	-		4		4
Maximum water consumption**	Lit/h	633		1.254		1.254
Drain	inch	3"		4"		4"
Drainage capacity	Lit/min	200		500		500
DIMENSIONS / PACKING DIMENSIONS						
Net Width / Gross Width	mm	1.478/1.540	1.815/1.900	1.815/1.900		
Net Depth / Gross Depth	mm	1.444/1.580	1.690/1.940	1.828/1.940		
Net Height / Gross Height	mm	1.945/1.970	2.245/2.290	2.245/2.290		
Net weight / Gross weight	kg	1.400/1.520	3.900/4.050	3.950/4.100		
Volume	m ³	4,79	8,44	8,44		

* N°2 Program, 100% load



- 1- SOAP DISPENSER
- 2- EMERGENCY STOP
- 3- USB PORT
- 4- DRAIN
- 5- ELECTRIC CONNECTION TO LIQUID SOAP PUMPS
- 6- ELECTRICAL CONNECTION
- 7- MAIN SWITCH
- 8- AUXILIAR WATER INLET
- 9- HOT WATER INLET
- 10- EQUIPOTENTIAL CONNECTION
- 11- COLD WATER INLET
- 12- BLUR OUTPUT / WATER OVERLOAD
- 13- LIQUID SOAP CONNECTION
- 14- STEAM CONNECTION
- 15- AIR INTAKE

		A	B	C	D	E	F	G	H	I	J	K	L	M	N	O	P	Q	R	S	T	U	V	W	CGY	CGZ
LA-60	mm	1.427	1.426	1.945	825	560	760	1.050	1.500	350	1.420	1.780	1.842	714	924	309	449	589	715	784	968	1.300	90	1.692	644	972
LA-100C	mm	1.765	1.650	2.245	945	700	792	1.350	1.740	336	1.781	2.038	2.110	675	1.092	494	634	774	954	994	1.239	1.646	165	2.049	853	1.025
LA-120C	mm	1.765	1.832	2.245	945	700	930	1.350	1.740	336	1.781	2.038	2.110	675	1.092	494	634	774	954	994	1.239	1.646	165	2.049	853	1.130



WASHING

-

HIGH SPIN WASHERS LOW AND MEDIUM CAPACITY LA-25/35C/45C TP2

CHARACTERISTICS

TP2

- User friendly and totally programmable 7" TP2 touch screen
- USB Connection. PC software free of charge for programming, traceability, data analysis...
- Videos on display (ads, instructions)
- 37 languages
- 8 dosing signals as standard

G FACTOR

- High G-Factor: G-FACTOR 450 for high spin washers

EFFICIENCY

- Intelligent consumption
- Optimal loading
- Water Recovery tanks ready: KRS
- Low water consumption

VERSATILITY

- Make to order: customisation
- OPL < > COIN
- Electric < > Hot water
- Drain valve < > Pump
- Wet cleaning features

CONNECTIVITY

- Remote technical service
- Management of laundries: OPL and COIN
- Remote payment

ERGONOMICS

- Biggest door diameters: Ø460 (for LA-25) and Ø560 (for LA-35C/45C)
- Easy opening/closing system for door lock

MAINTENANCE

- Hinged panel: easy access to parts
- Equivalent parts for all models: contactors, electronic devices, gear
- Technical menu: traceability, error diagnosis

OTHERS

- Grey skinplate outer casing
- Drum and tub in stainless steel AISI 304
- Detergent dispenser with 4 compartments
- Electronic control of imbalance with frequency control
- LOADING AID system: water and rotation control
- CB and WRAS approved product. Option ETL

OPTIONS

- Double drain
- Normally closed valve
- Water RE-CYCLE: recirculation of bath water
- Levelling feet
- Auto Weight: automatic weighing sensor system on feet (Includes kit with 6 extra dosing signals)
- Relay card with 6 extra dosing signals: up to 14 signals
- Printer
- DomusConnect communication IoT
- Silicon gasket (for LA-25)
- Reversible door opening
- Tropicalized model: protected board
- Steam kit to transform an E or HW heated machine into steam version
- Plinth to level all machines from top
- Plinth to align loading height (door base at 850mm)
- Stainless steel outer casing
- Stainless steel front panel
- Maritime voltage for electric models: 440V III 50/60 Hz No neutral
- Voltage 230 V III 50/60 Hz (for LA-35C/45C)
- Coin/token kit
- Delayed door opening in case of power outage

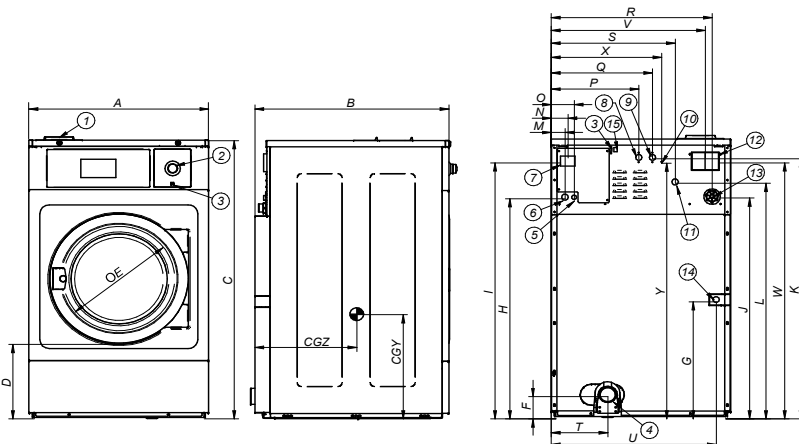


TECHNICAL DATA

HIGH SPIN WASHERS | LOW AND MEDIUM CAPACITY | LA-25/35C/45C TP2

	UNIT.	LA-25 TP2	LA-35C TP2	LA-45C TP2			
DRUM							
Load capacity 1:9 / 1:10	Kg	28/25	39/35	47/42			
Volume	l	250	350	420			
Diameter	mm	770	860	860			
Depth	mm	530	602	723			
GENERAL DETAILS							
Washing speed / Spining speed	r.p.m.	45/1024	42,5/966	42,5/966			
G Factor	-	450	450	450			
Maximum force transmitted	KN	4,92 ±1,75	7,36 ±2,45	7,36 ±2,45			
Frequency-dynamic force	Hz	15	14,3	14,3			
Sound level	dB	<70	<70	<70			
Coin laundry version	-	Yes	Yes	No			
Double drain	-	Opt	Opt	Opt			
Weighing System / Tilting System	-	Opt/No	Opt/No	Opt/No			
DOOR							
Height center door / Height door	mm	865/560	885/540	885/540			
Diameter	mm	460	560	560			
POWER							
Motor	kW	4	6	6			
Electric heating power	kW	18	21	21			
Total electric power (electric model)	kW	19,2	23	23			
Total electric power (hw, steam model)	kW	4	6	6			
CONNECTIONS							
		ELECTRIC	STEAM / HOT WATER	ELECTRIC	STEAM / HOT WATER	ELECTRIC	STEAM / HOT WATER
Tension 230V - I + N + T	Nº x mm2 / A	-	2x2,5+T/20A	-	-	-	-
Tension 230V - III + T	Nº x mm2 / A	3x16+T 63A	-	-	-	-	-
Tension 400V - III + N + T	Nº x mm2 / A	4x4+T 32A	-	4x6+T 40A	4X1,5+T 16A	4x6+T 40A	4X1,5+T 16A
Steam inlet (Steam mod.)	inch	3/4"		3/4"		3/4"	
Maximum steam consumption (Steam mod.)	Kg/h	15		18		18	
Water inlet	inch	3/4"		3/4"		3/4"	
Water main pressure	Kgs/cm ²	2-4		2-4		2-4	
Maximum water consumption*	Lit/h	175,5		261,3		261,3	
Drain	inch	3"		3"		3"	
Drainage capacity	Lit/min	200		200		200	
DIMENSIONS / PACKING DIMENSIONS							
Net Width / Gross Width	mm	979/1.040	1.095/1.165	1.095/1.165			
Net Depth / Gross Depth	mm	1.041/1.160	1.184/1.230	1.304/1.480			
Net Height / Gross Height	mm	1.553/1.850	1.598/1920	1598/1920			
Net weight / Gross weight	kg	490/545	750/820	800/870			
Volume	m3	2,23	2,75	3,31			

* N°20 Program, 75% load



- 1- SOAP DISPENSER
- 2- EMERGENCY STOP
- 3- USB PORT
- 4- DRAIN
- 5- ELECTRIC CONNECTION TO LIQUID SOAP PUMPS
- 6- ELECTRICAL CONNECTION
- 7- MAIN SWITCH
- 8- AUXILIAR WATER INLET
- 9- HOT WATER INLET
- 10- EQUIPOTENTIAL CONNECTION
- 11- COLD WATER INLET
- 12- BLUR OUTPUT / WATER OVERLOAD
- 13- LIQUID SOAP CONNECTION
- 14- STEAM CONNECTION
- 15- ETHERNET PORT

	A	B	C	D	E	F	G	H	I	J	K	L	M	N	O	P	Q	R	S	T	U	V	W	X	Y	CGY	CGZ	
LA-25	mm	979	1.041	1.553	560	460	133	490	1.282	1.450	1.259	1.465	1.354	61	74	101	481	561	861	673	367	909	831	1.424	624	1.510	773	710
LA-35C	mm	1.095	1.184	1.600	525	560	158	576	1.330	1.498	1.331	1.513	1.417	61	74	101	596	676	976	808	384	1.028	946	1.496	740	1.558	795	732
LA-45C	mm	1.095	1.304	1.600	525	560	158	576	1.330	1.498	1.331	1.513	1.417	61	74	101	596	676	976	808	384	1.028	946	1.496	740	1.558	795	800



WASHING

-

HIGH SPIN WASHERS LOW AND MEDIUM CAPACITY LA-11/14/18 TP2

CHARACTERISTICS

TP2

- User friendly and totally programmable 7" TP2 touch screen
- USB Connection. PC software free of charge for programming, traceability, data analysis...
- Videos on display (ads, instructions)
- 37 languages
- 8 dosing signals as standard

G FACTOR

- High G-Factor: G-FACTOR 450 for high spin washers

EFFICIENCY

- Intelligent consumption
- Optimal loading
- Water Recovery tanks ready: KRS
- Low water consumption

VERSATILITY

- Make to order: customisation
- OPL < > COIN
- Electric < > Hot water
- Drain valve < > Pump
- Wet cleaning features

CONNECTIVITY

- Remote technical service
- Management of laundries: OPL and COIN
- Remote payment

ERGONOMICS

- Biggest door diameters: Ø373 (for LA-11/14) and Ø460 (for LA-18)
- Easy opening/closing system for door lock

MAINTENANCE

- Hinged panel: easy access to parts
- Equivalent parts for all models: contactors, electronic devices, gear
- Technical menu: traceability, error diagnosis

OTHERS

- Grey skinplate outer casing
- Drum and tub in stainless steel AISI 304
- Detergent dispenser with 4 compartments
- Electronic control of imbalance with frequency control
- LOADING AID system: water and rotation control
- CB and WRAS approved product. Option ETL

OPTIONS

- Double drain
- External double drain 3" (recommended for LA-11)
- Drain pump for models LA-11 and LA-14
- Normally closed valve
- Water RE-CYCLE: recirculation of bath water
- Levelling feet
- Auto Weight: automatic weighing sensor system on feet (Includes kit with 6 extra dosing signals)
- Relay card with 6 extra dosing signals: up to 14 signals
- Printer
- FagorKconnect IoT
- Silicone gasket
- Reversible door opening
- Tropicalized model: protected board
- Steam kit to transform an E or HW heated machine into steam version
- Plinth to level all machines from top
- Plinth to align the doorbase at 850mm)
- Stainless steel outer casing
- Stainless steel front panel
- Maritime voltage for electric models: 440V III 50/60 Hz No neutral
- Coin/token kit
- Delayed door opening in case of power outage
- Plinth for mops with drawer inox/skinplate

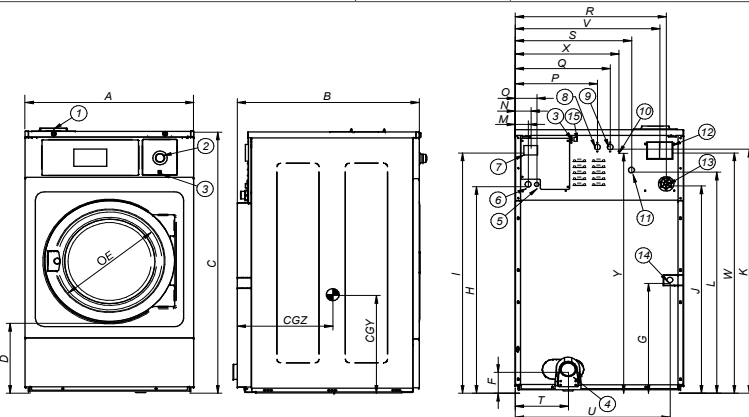


TECHNICAL DATA

HIGH SPIN WASHERS | LOW AND MEDIUM CAPACITY | LA-11/14/18 TP2

	UNIT.	LA-11 TP2	LA-14 TP2	LA-18 TP2			
DRUM							
Load capacity 1:9 / 1:10	Kg	11/10	14/13	20/18			
Volume	l	100	130	180			
Diameter	mm	532	620	700			
Depth	mm	425	430	470			
GENERAL DETAILS							
Washing speed / Spining speed	r.p.m.	50/1.231	50/1.138	47/1.071			
G Factor	-	450	450	450			
Maximum force transmitted	KN	2,08 ±0,75	2,49 ±1,05	3,41 ±1,4			
Frequency-dynamic force	Hz	16,7	16,7	16			
Noise level	dB	<70	<70	<70			
Coin laundry version	-	Yes	Yes	Yes			
Double drain	-	Opt (external)	Opt	Opt			
Weighing System / Tilting System	-	Opt/No	Opt/No	Opt/No			
DOOR							
Height center door / Height door	mm	630/370	700/440	765/450			
Diameter	mm	373	373	460			
POWER							
Motor	kW	0,75	1,1	2,2			
Electric heating power	kW	6	9	12			
Total electric power (electric model)	kW	6,25	9,4	12,75			
Total electric power (hw, steam model)	kW	0,75	1,1	2,2			
CONNECTIONS							
		ELECTRIC	STEAM / HOT WATER	ELECTRIC	STEAM / HOT WATER.	ELECTRIC	STEAM / HOT WATER.
Tension 230V - I + N + T	Nº x mm2 / A	2x4+T / 32A	2x1,5+T / 6A	2x10+T / 50A	2x1,5+T / 10A	2x16+T / 63A	2x1,5+T / 10A
Tension 230V - III + T	Nº x mm2 / A	3x2,5+T / 20A	-	3x4+T / 25A	-	3x6+T / 40A	-
Tension 400V - III + N + T	Nº x mm2 / A	4x1,5+T / 10A	-	4x1,5 / 16A	-	4x2,5+T / 20A	-
Steam inlet (Steam model)	inch	1/2"		1/2"		1/2"	
Maximum steam consumption (Steam model)	Kg/h	7		8,5		12	
Water inlet	inch	3/4"		3/4"		3/4"	
Water main pressure	Kgs/cm ²	2-4		2-4		2-4	
Maximum water consumption*	Lit/h	71,4		88,8		118,3	
Drain	inch	3"		3"		3"	
Drainage capacity	Lit/min	200		200		200	
DIMENSIONS / PACKING DIMENSIONS							
Net Width / Gross Width	mm	692/730		788/850		884/945	
Net Depth / Gross Depth	mm	788/1.000		869/1.010		913/1.030	
Net Height / Gross Height	mm	1.185/1.417		1.307/1.560		1.415/1.700	
Net weight / Gross weight	kg	230/239		250/283		360/393	
Volume	m ³	1,03		1,34		1,65	

* N°20 Program, 75% load



- 1- SOAP DISPENSER
- 2- EMERGENCY STOP
- 3- USB PORT
- 4- DRAIN
- 5- ELECTRIC CONNECTION TO LIQUID SOAP PUMPS
- 6- ELECTRICAL CONNECTION
- 7- MAIN SWITCH
- 8- AUXILIAR WATER INLET
- 9- HOT WATER INLET
- 10- EQUIPOTENTIAL CONNECTION
- 11- COLD WATER INLET
- 12- BLUR OUTPUT / WATER OVERLOAD
- 13- LIQUID SOAP CONNECTION
- 14- STEAM CONNECTION
- 15- ETHERNET PORT

	A	B	C	D	E	F	G	H	I	J	K	L	M	N	O	P	Q	R	S	T	U	V	W	X	Y	CGY	CGZ	
LA-11	mm	692	788	1.185	370	373	125	354	913	1.085	916	1.100	985	61	74	101	292	352	610	448	226	626	580	1.080	442	1.145	424	577
LA-14	mm	788	869	1.307	440	373	243	385	1.034	1.202	1.037	1.221	1.106	61	74	101	385	445	706	544	243	718	676	1.202	485	1.201	450	651
LA-18	mm	884	913	1.415	450	460	95	380	1.135	1.303	1.138	1.322	1.207	61	74	101	429	509	802	640	348	814	772	1.303	569	1.297	464	702